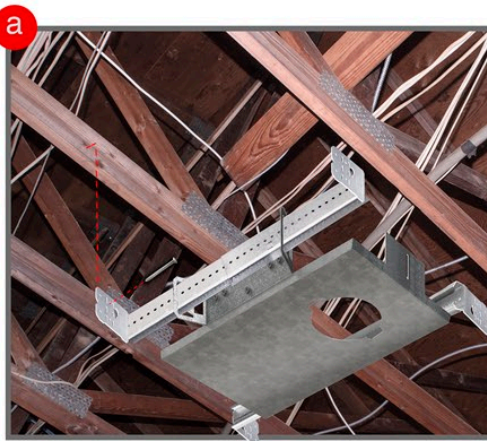
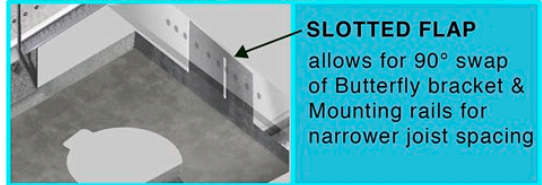
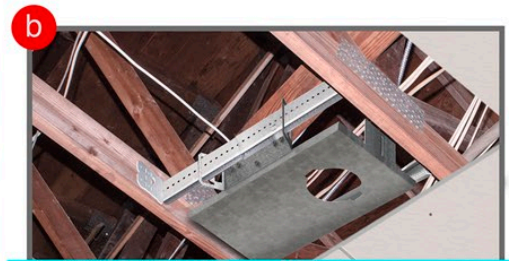




Exposed Ceiling Joists



Step A- Anchor mounting rails into joists with screws. Slide Bracket Pan with butterfly brackets into mounting rails. Clip mounting rails to secure.

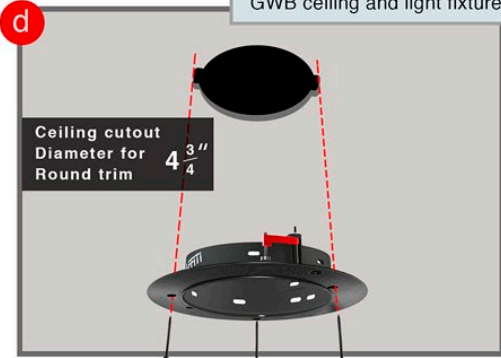


SLOTTED FLAP allows for 90° swap of Butterfly bracket & Mounting rails for narrower joist spacing

Step B- Bottom of bracket pan should either be flush with bottom of ceiling joists or 1/8" higher than bottom of joists

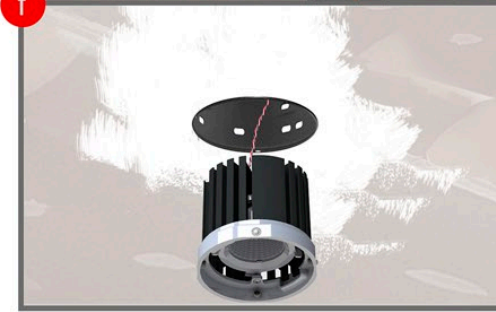
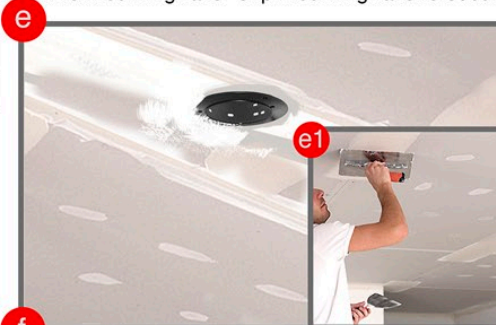


90° Adjustable Clamp on receiver (retractable)
CLOSEUP
Phillips screwdriver to adjust height of the ceiling clamp to secure a tight fit between GWB ceiling and light fixture.



Ceiling cutout Diameter for Round trim 4 3/4"

Step C- Cutout opening for light install.
Step D- Attach receiver with GWB screws (4).
See Closeup- tighten receiver to GWB Ceiling.



Step E- Plaster receiver flange. Finish Electrical.
Step E1- Apply tape & joint compound
Step F- Slide light assembly into receiver. Finish plastering GWB.



Step G- After plaster ceiling has dried, paint over the plaster ceiling.



IMPORTANT
Ball Plunger on round trim needs to click into receiver



*Trim in view is GRW- Round Flangeless Trim

Step H- Make sure trim ball plungers clicks into receiver to secure.

How to secure with safety cables?



Safety cable clip clicks into Plaster Receiver safety cable



Push-pin Fastener

Push-pin fastener locks trim safety cable trim to lamp assembly



Bracket Pan Install Plaster Flanged Round ZT Trim Instruction Sheet for GRF, GR, GRO, GRW Series

TRIMS AVAILABLE



GRF- Flangeless



GR- Flangeless



GRO- Flangeless



GRW- Flangeless

