



Exposed Ceiling Joists



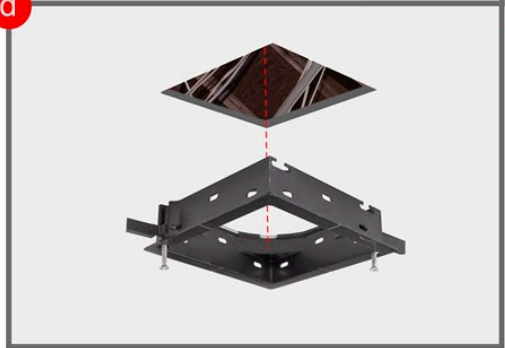
Step A- Install ceiling.



Step B- Cutout opening for light install



Ceiling cutout size for Square trim $4 \frac{5}{8}$ "



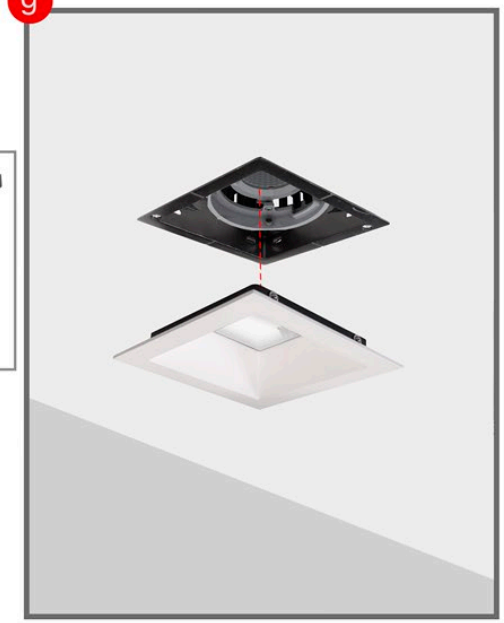
Step C- Paint over ceiling before installation.
Step D- Slide receiver into ceiling.



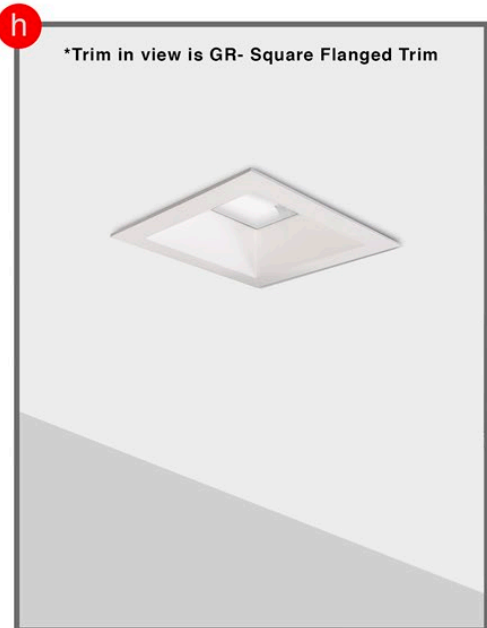
Step E- Tighten screws to clamp receiver to ceiling. Finalize electrical wiring/connections.



Step F- Slide light assembly into receiver. Ball plungers(4) on light assembly clicks into 4 slots on receiver (see detail above)



Step G- After light assembly has been installed Click flanged trim ball plungers (4) into receiver slots.



*Trim in view is GR- Square Flanged Trim

Step H- Make sure trim ball plungers clicks into receiver to secure.

How to secure with safety cables?



Safety cable clip clicks into Plaster Receiver safety cable

Push-pin Fastener

Push-pin fastener locks trim safety cable trim to lamp assembly



Retrofit Flanged Square Trim Instruction Sheet for GRF, GR, GRO, GRW Series

