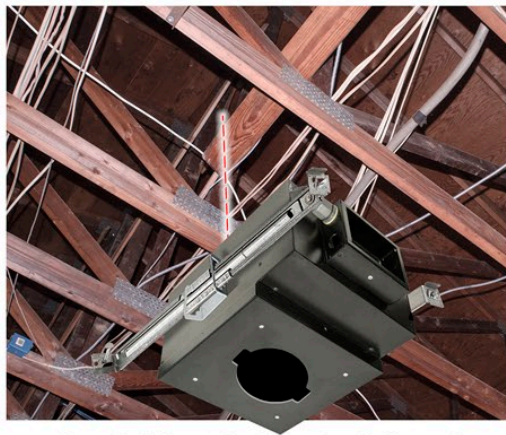
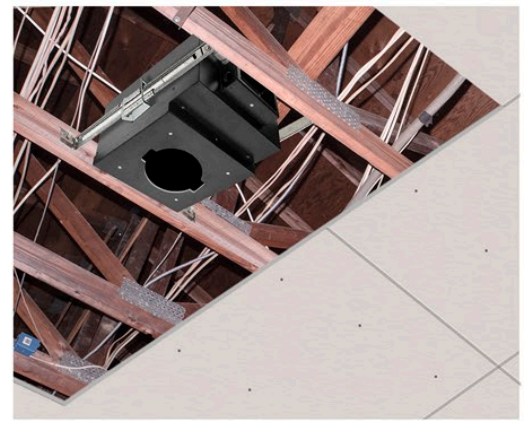




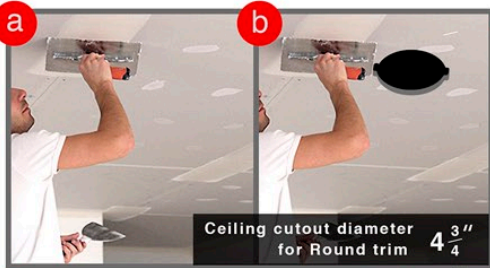
Step 1- Exposed Ceiling Joists



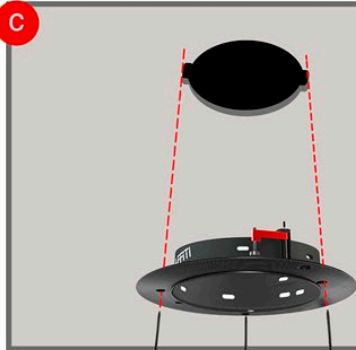
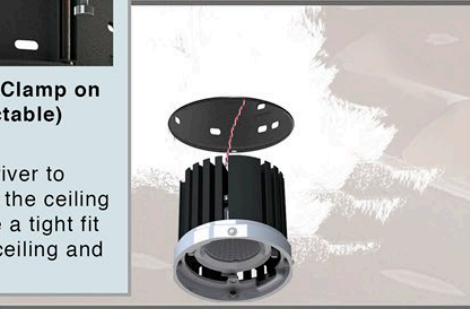
Step 2- Adjustable Mounting Rails anchor housing to ceiling joists with screws



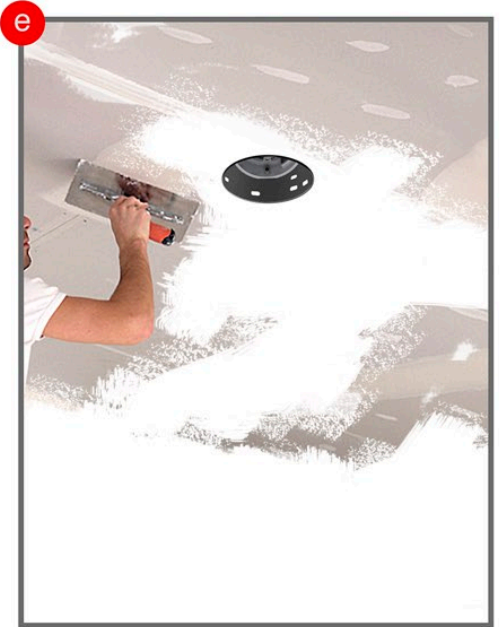
Step 3- After housing is secured. Continue GWB ceiling install.



Ceiling cutout diameter for Round trim 4 ³/₄"



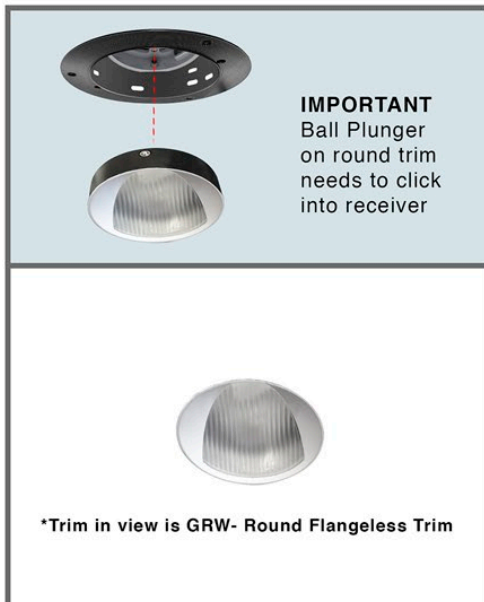
90° Adjustable Clamp on receiver (retractable)
CLOSEUP
 Phillips screwdriver to adjust height of the ceiling clamp to secure a tight fit between GWB ceiling and light fixture.



Step 4a- Apply tape & joint compound
Step 4b- cutout opening
Step 4c- Install receiver with GWB Screws.

Step 4d- Plaster over receiver
Step 4d- Finalize electrical wiring/connections. Slide & Lock light fixture into receiver.

Step 4e- 1 or 2 coat plaster job over GWB ceiling. Painting optional depending on plaster finish.



Step 5- Final step is to make sure trim ball plungers clicks into receiver to secure.

How to secure with safety cables?



Safety cable clip clicks into Plaster Receiver safety cable

Push-pin Fastener

Push-pin fastener locks trim safety cable trim to lamp assembly



IC Rated Flangeless trim Plaster Receiver/ Housing Instruction Sheet for GRF, GR, GRO, GRW Series

TRIMS AVAILABLE

