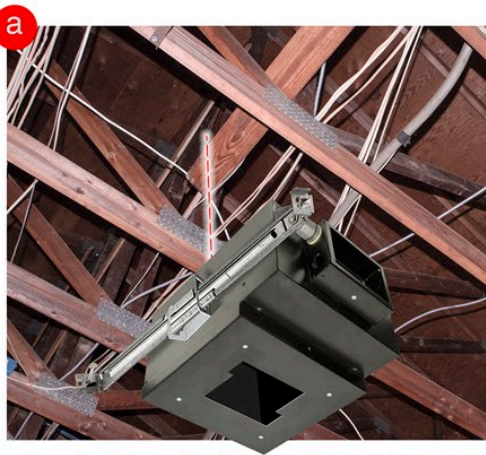
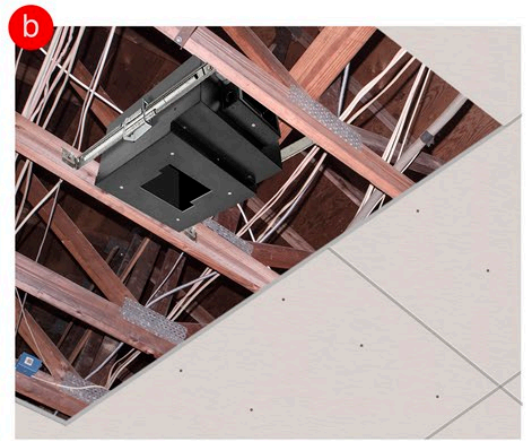




Exposed Ceiling Joists



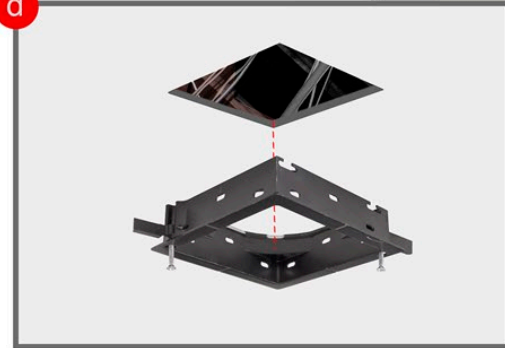
Step A- Adjustable Hanger Bars anchor housing to ceiling joists with screws



Step B- After housing is secured. Continue drywall install, but leave space for wiring.



Step C- Cutout opening for light install. Paint over ceiling before installation.



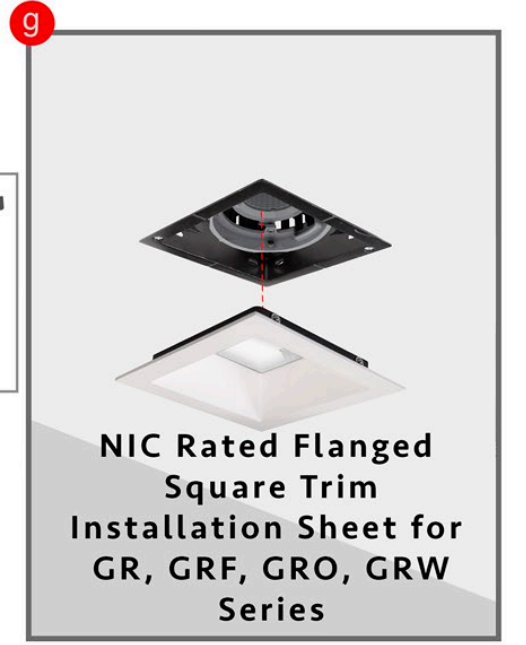
Step D- Slide receiver into ceiling.



Step E- Tighten screws to clamp receiver to ceiling. Finalize electrical wiring/connections.



Step F- Slide light assembly into receiver. Ball plungers(4) on light assembly clicks into 4 slots on receiver (see detail above)



Step G- After light assembly has been installed Click flanged trim ball plungers (4) into receiver slots.



Step H- Make sure trim ball plungers clicks into receiver to secure.

How to secure with safety cables?



Safety cable clip clicks into Plaster Receiver safety cable

Push-pin Fastener

Push-pin fastener locks trim safety cable trim to lamp assembly



NIC Rated Flanged Square Trim Instruction Sheet for GRF, GR, GRO, GRW Series

