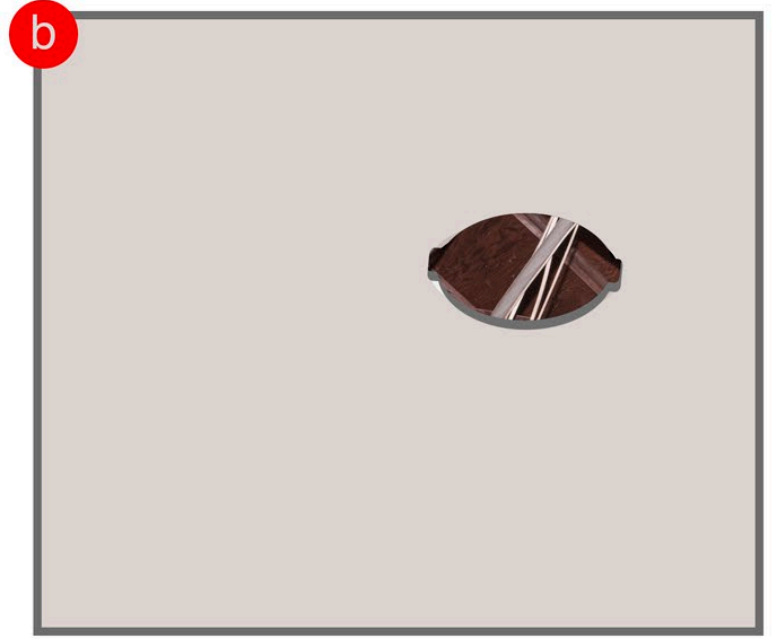




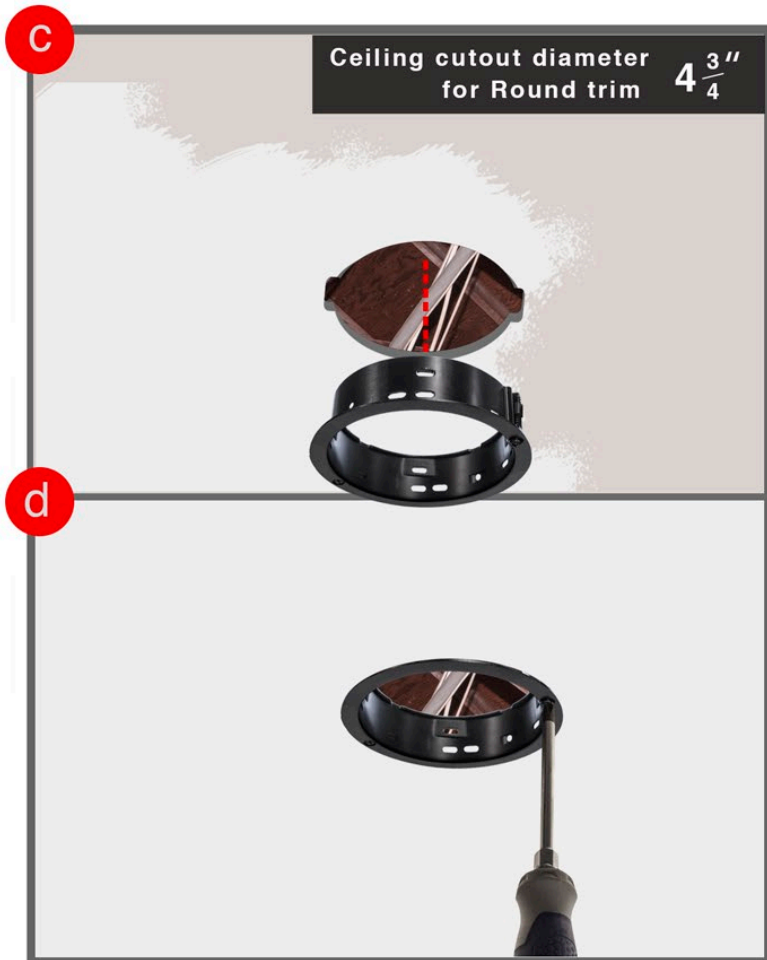
Exposed Ceiling Joists



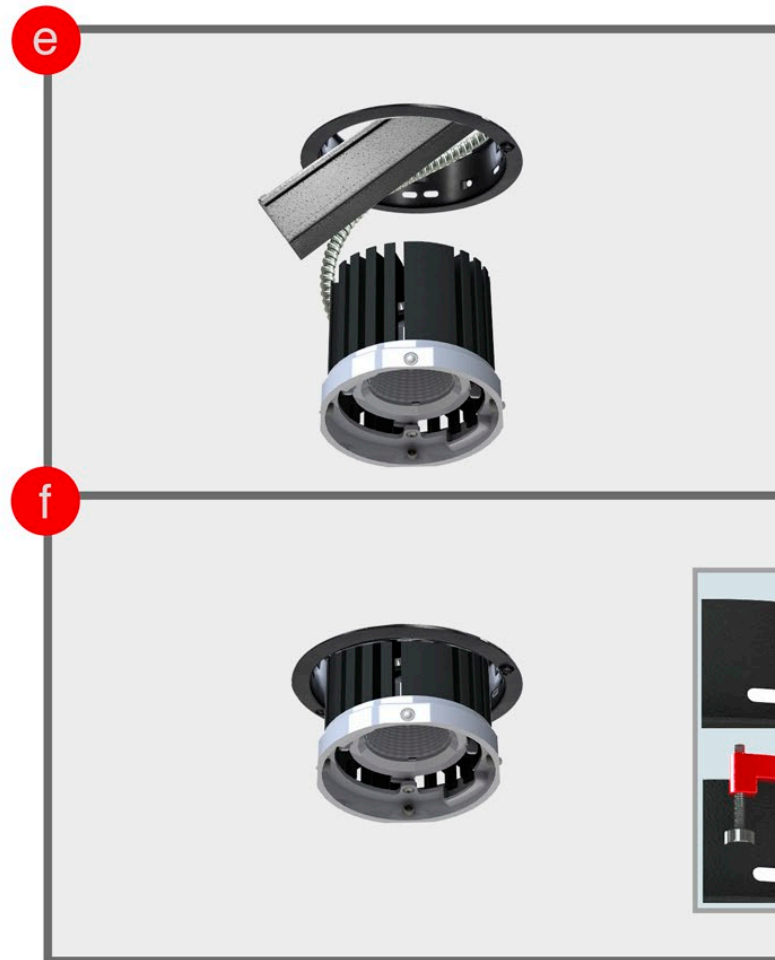
Step A- Install ceiling.



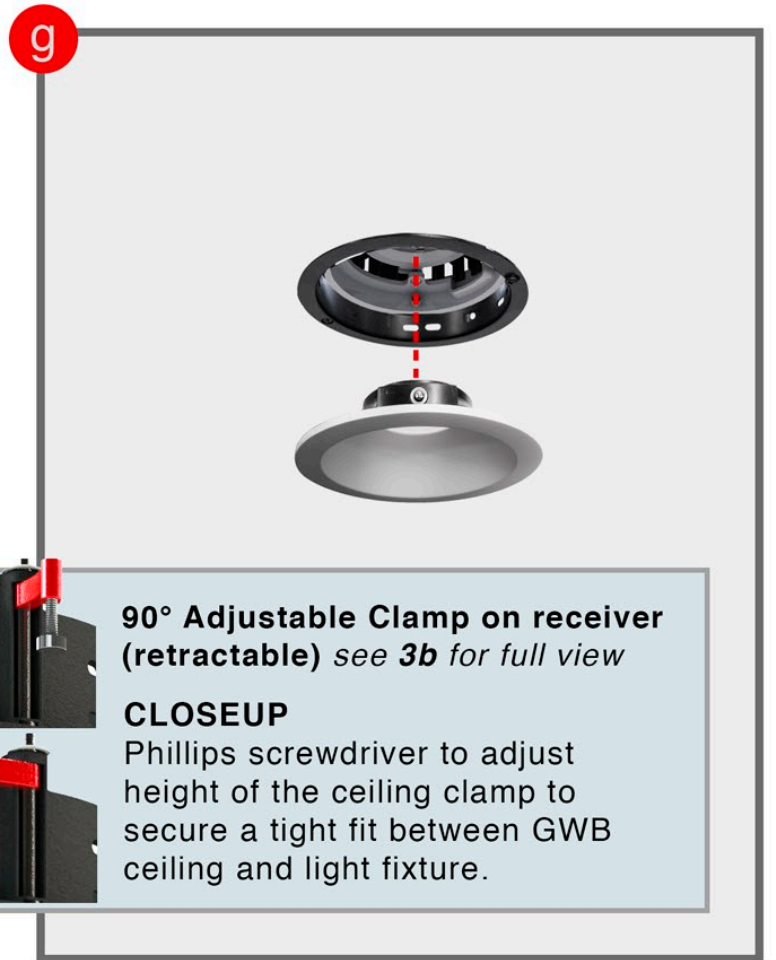
Step B- Apply tape & joint compound. Cutout opening and prep for painting ceiling.



Step C- Slide flange receiver into opening. Step D- Tighten screws to clamp receiver to ceiling.



Step E- Finalize electrical wiring/connections. Then slide light assembly into receiver. Step F- Ball plungers(4) on light assembly clicks into 4 slots on receiver.



Step G- After light assembly locks into the flanged receiver, slide & lock flanged trim into the receiver.



Retrofit Flanged Trim/ no Housing Instruction Sheet for GRF, GR, GRO, GRW Series



How to secure with safety cables?



Repeat process for all GR-Round Flanged.

