



## GR-F Series



is the innovative new line of LED lighting solutions from Specialty Lighting Industries.



**GRF** Series in low to medium ceiling heights typically found in residential, commercial or retail applications. GRF series fixtures feature a flat trim surface that blends seamlessly with the ceiling construction. The Graffiti™ fixtures provide cost effective LED lighting solutions. As the creative spirit of its name implies, Graffiti™ systems provide all the quality SLI has grown famous for over the last 25 years, but at reduced lead times, affordable price points and innovative technologies that will liberate your creative flair.

**THERMAL MANAGEMENT:** Proprietary high performance aluminum black heatsink for maximum LED life

**Project Name:**

**Specifier:**

**Distributor:**

**Quantity:**

**Type:**

**Signature:**

### ADJUSTABLE/FIXED SPECIFICATIONS

**MOUNTING** - Recessed in architectural ceiling. Butterfly brackets and Hanger bars included with housing and mounting pans.

- **RM**- Open fixture for retrofit for remodel in existing ceilings
- **IC**-Housing for new construction where insulation comes in contact with fixture
- **NIC**-Housing for new construction where IC not required
- **PN**- For New construction
- **DP**- Pan for dropped ceilings
- **BP**- Pan for metal studs
- **CP**- Chicago Plenum

**TRIM** - One piece die cast aluminum, flanged or flangeless trim with flat pinhole aperture. Available for wet locations. Accommodates up to 1" ceiling thickness as standard.

- **ZT/ZST**- for use in plaster/GWB ceilings
- **FT/FST**- for use in architectural ceilings

#### ELECTRICAL

- **Standard 0-10v (C1)** Dimming down to 1%
  - **TRIAC/ELV (C2)** Dimming down to 1%
  - **EldoLED 0-10v (E1)** Logarithmic Dimming down to 0.1%
  - **EldoLED Dali (E2)** Dimming down to 0.1%
  - **EldoLED 0-10v (E3)** Linear Dimming down to 0.1%
  - **Lutron Hi-lume (L2)** Hi-lume 1% (former A-Series) 2-wire Driver
  - **Lutron Hi-lume EcoSystem 1% (LTB)** Hi-lume 1% with Fade-to-Black (former H-Series) digital EcoSystem Driver
  - **Lutron Hi-lume Premier 0.1% (LTP)** Hi-lume Premier 0.1% with Fade-to-Black digital EcoSystem
  - **EM Pack** Dimming driver with emergency battery backup
- All drivers are field replaceable\*

Specifier/Installer is responsible for testing & validating compatibility of any control equipment used. Additional conductors may be required depending on dimming system.

#### LED

- **CZ- Citizen** 2700-4000K, 90+CRI
- **AD- Ambient Dim™** 3000-1900K, 97 CRI
- **XT- Xicato** 2700-4000K, 90+ CRI



**LENS/OPTICS** - Interchangeable reflector provides multiple beam patterns. Field-changeable optics

- **Spot (15°)**
- **Narrow (24°)**
- **Flood (38°)**
- **Wide Flood (60°)**

Optional lenses available for aperture include Solite and Veiling Acrylic. Accepts two optical accessories and an optional trim mounted lens.

**FINISH** - Black powder paint housing. Aper. trim available in white as standard. Can be field painted to match ceiling finish.

**WARRANTY** - 5 year limited on LED and driver. See website for details.

**LABELS** -  US, US tested to UL standards 1598, Dry/Damp and Wet listings. IC/Airtight,  24 compliant. Chicago Plenum Available.

Patent Pending. These specifications subject to change without notice. 12/18

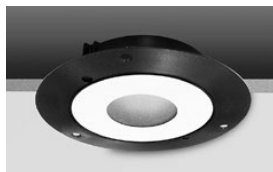
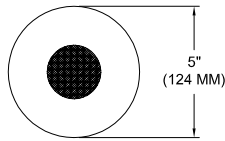




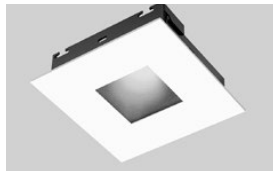
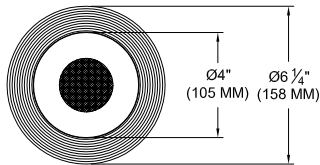
INFORMATION- TRIM



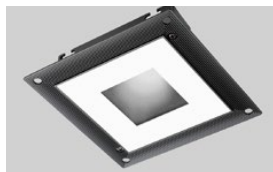
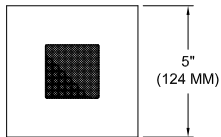
ROUND/ FLANGED



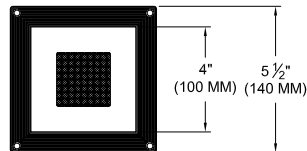
ROUND / FLANGELESS



SQUARE / FLANGED



SQUARE / FLANGELESS



PHOTOMETRICS

\*Visit website for further photometric data or Click Here

\*LED Technology rapidly changes. Please consult factory for latest specs and photometry.

ORDER INFO

CODE

Graffiti™ Housing

GRF

Housing

- RM = Retrofit
- TITLE 24** IC = IC
- NIC = Non IC
- NP = New Pan
- DP = Dropped Pan
- BP = Bracket Pan
- CP = Chicago Plenum

Source/Wattage/Lumens/Delivered

- TITLE 24** AD14 = Ambient Dim™ / 14.5W / 1000lm / 882lm
- TITLE 24** CZ14 = Citizen / 14W / 1640lm / 1123lm
- TITLE 24** CZ20 = Citizen / 20W / 2265lm / 1424lm
- XT8 = Xicato / 8W / 800lm / 616lm
- XT12 = Xicato / 12W / 1055lm / 798lm
- XT17 = Xicato / 17W / 1400lm / 1163lm

Type

- TITLE 24** F = Fixed
- TITLE 24** A = Adjustable

CCT

- TITLE 24** 27 = 2700K
- TITLE 24** 30 = 3000K
- 35 = 3500K
- 40 = 4000K
- TITLE 24** AD = 3000K-1900K\* (AD14 only)

Beam

- SP = Spot
  - NF = Narrow flood
  - FL = Flood
  - WF = Wide flood
- Xicato Lamp Source only available with NF and FL beam options

Driver

- TITLE 24** C1 = 0-10V dimming, 1%, 120-277v
  - TITLE 24** C2 = TRIAC/ELV 2-wire, 1% 120V only (Leading/Trailing Edge)
  - TITLE 24** E1 = EldoLED 0-10V Logarithmic Dim, 0.1%, 120-277v
  - TITLE 24** E2 = EldoLED DALI, 0.1%, 120-277v
  - TITLE 24** E3 = EldoLED 0-10V Linear Dim, 0.1%, 120-277v
  - TITLE 24** L2 = Hi-lume 1% (former A-Series) 2-wire Driver, 120v only (LTEA)
  - TITLE 24** LTB = Hi-lume 1% with Fade-to-Black (former H-Series) digital EcoSystem Driver, 120-277v (LDE1)
  - TITLE 24** LTP = Hi-lume Premier 0.1% with Fade-to-Black digital EcoSystem, 120-277v (PEQ0)
  - EM\*\*= Emergency Pack
- \*\*Lutron & EldoLED require Inverter

Graffiti™ Trim

GRTF

Shape

- RD = Round
- SQ = Square

Trim

- FT = Flanged
- ZT = Flangeless
- FST\* = Flanged Shower
- ZST\* = Flangeless Shower

\*Lens Required

Finish

WHT

WHT = White

Lens

79A/91A

- 91A = Solite
- 79A = Frosted
- None

[\\* CLICK HERE to view Accessories for Trims.](#)

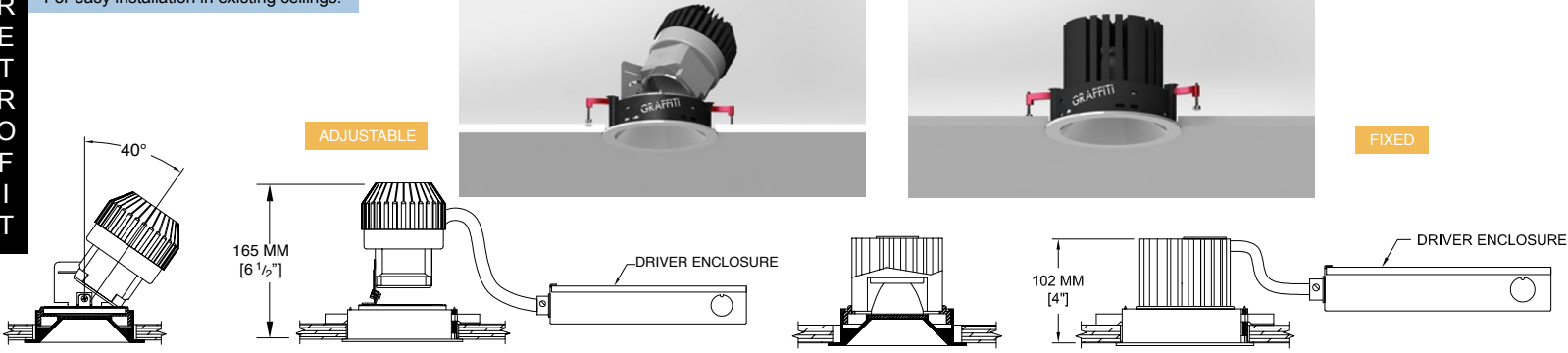
Patent Pending. These specifications subject to change without notice. 12/18



# INFORMATION- HOUSING

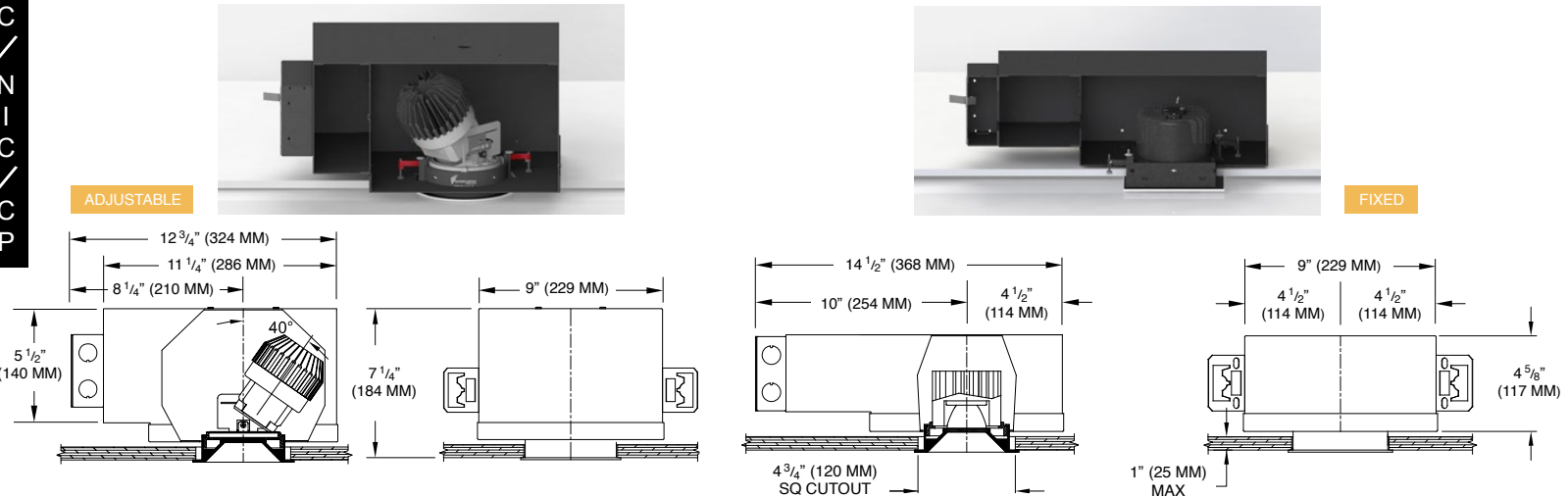
RETROFIT

For easy installation in existing ceilings.



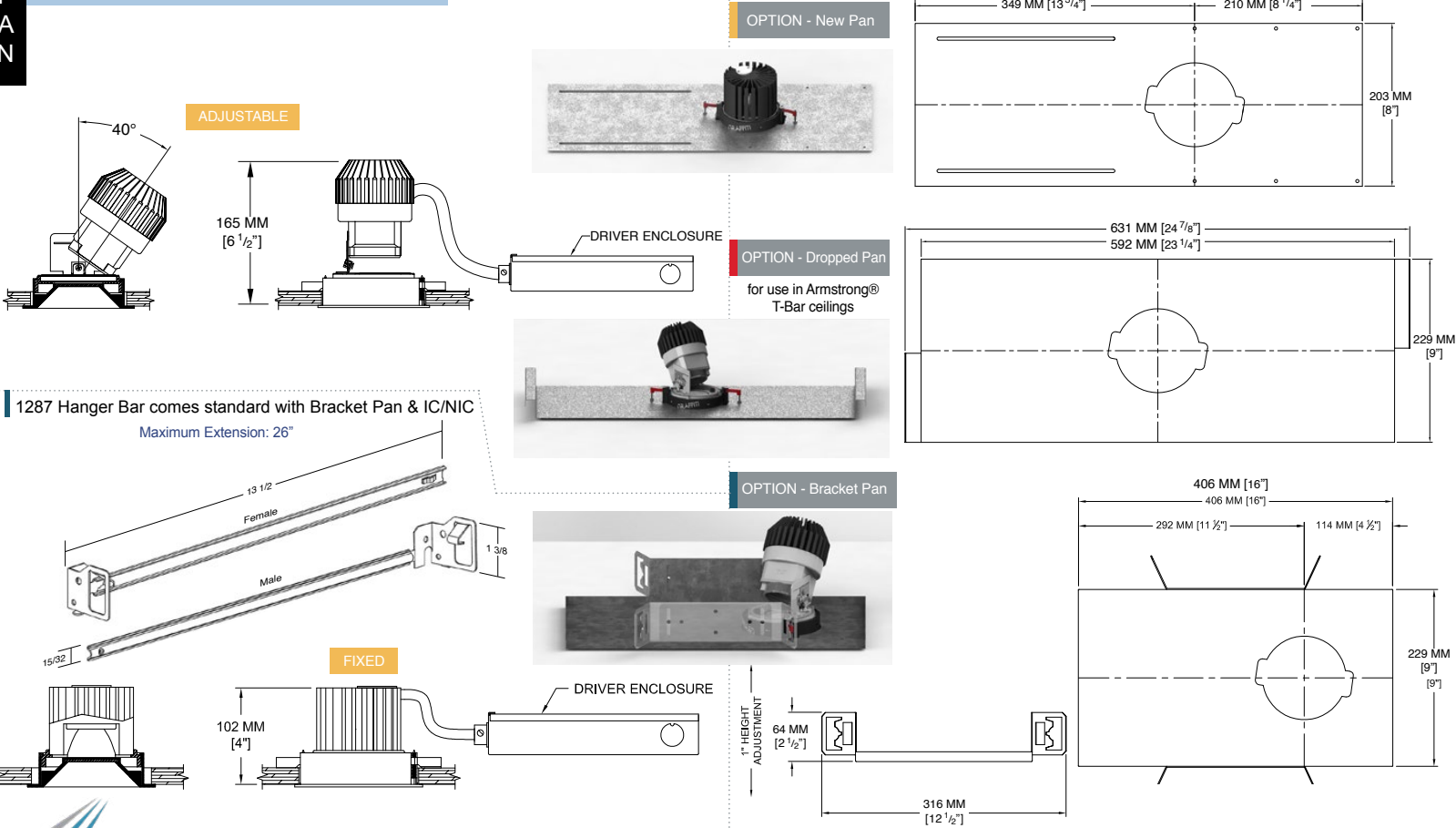
IC/NIC/CCP

For projects requiring housings or IC rated fixtures.



PAN

For new construction applications not requiring a housing.



Patent Pending. These specifications subject to change without notice. 7/18

