

## CAUTIONS AND WARNINGS:

1. This product *must* be installed in accordance with the applicable installation code by a licensed electrician familiar with the construction and operation of the product and hazards involved.
2. Power *must* be **OFF** when connecting the fixture. "Hot plugging" the light engine and driver will damage the LED source.
3. The light engine is low voltage and is factory wired to the driver.  
**DO NOT CONNECT LIGHT ENGINE TO THE BUILDING AC POWER.**

**DISCLAIMER:** Screw and hardware on the outer edge of adjustable head are **NOT** to be tampered with. **ANY** adjustment **WILL VOID** warranty.



**A** Anchor mounting rails into joists with screws. Slide Bracket Pan with butterfly brackets into mounting rails. Clip mounting rails to secure.



**SLOTTED FLAP**  
allows for 90° swap of Butterfly bracket & Mounting rails for narrower joist spacing

**B** Bottom of bracket pan should either be flush with bottom of ceiling joists or 1/8" higher than bottom of joists



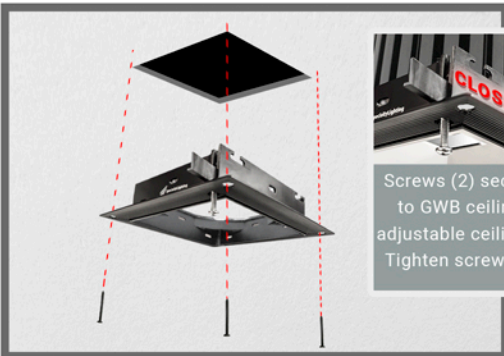
**C** Cutout opening for light install.



**E** Plaster receiver flange. Finish electrical



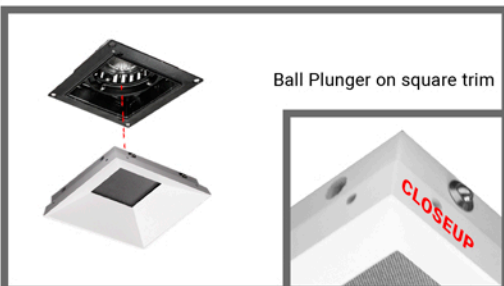
**G** After plaster ceiling has dried, paint over the plaster ceiling.



**D** Attach receiver with GWB screws (4).  
*\*See Closeup- tighten receiver to GWB Ceiling.*



**F** Slide light assembly into receiver. Finish plastering GWB.



**H** Make sure trim ball plungers clicks into receiver to secure.  
*\*Trim in view is GR- Square Flangeless*

### How to secure with safety cables?



## Installation Instructions for Bracket Pan Square Flangeless Trim GRF, GR, GRO, GRW

### TRIMS AVAILABLE

