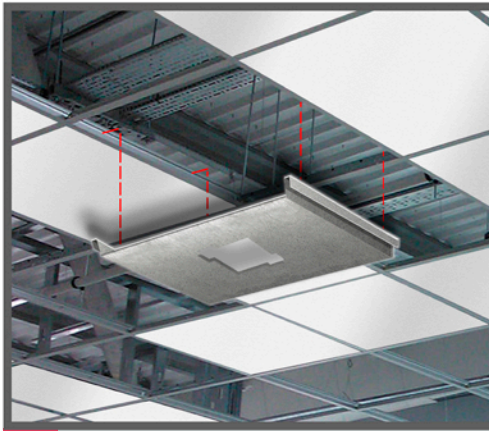


CAUTIONS AND WARNINGS:

1. This product *must* be installed in accordance with the applicable installation code by a licensed electrician familiar with the construction and operation of the product and hazards involved.
2. Power *must* be **OFF** when connecting the fixture. "Hot plugging" the light engine and driver will damage the LED source.
3. The light engine is low voltage and is factory wired to the driver.
DO NOT CONNECT LIGHT ENGINE TO THE BUILDING AC POWER.

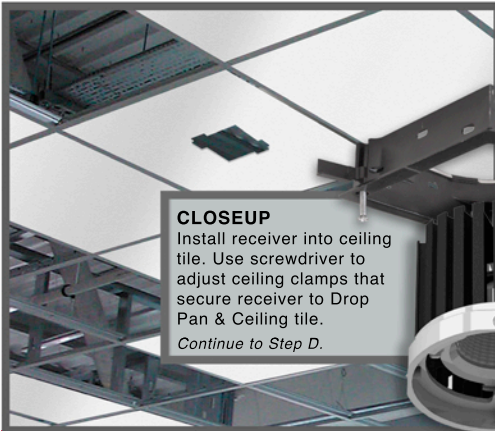
DISCLAIMER: Screw and hardware on the outer edge of adjustable head are **NOT** to be tampered with. ANY adjustment **WILL VOID** warranty.



A Slide dropped pan over metal rails of suspended ceiling. Dropped pan can be used as a template, lay pan on top of tile, position and draw shape onto tile for cutout.

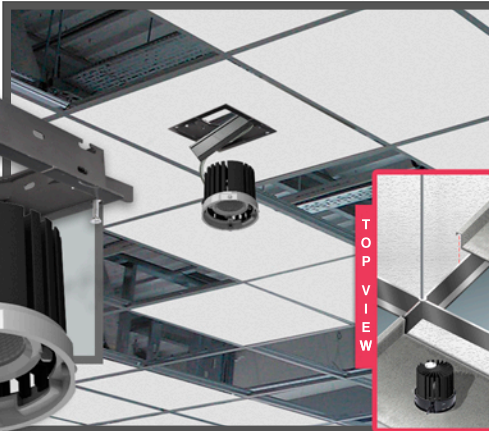


B Make sure dropped pan has enough clearance beneath the ceiling for tile install. Tile slides in underneath dropped pan.



CLOSEUP
Install receiver into ceiling tile. Use screwdriver to adjust ceiling clamps that secure receiver to Drop Pan & Ceiling tile.
Continue to Step D.

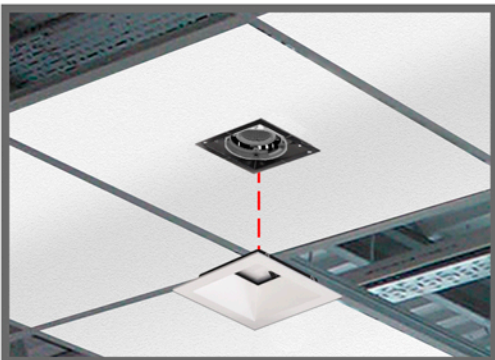
C Check to see that dropped pan is resting securely on top of tile rails. Any gap between pan and rail can create instability.



D Once receiver is secured, connect all wiring and slide driver enclosure with light assembly through cutout.



E Align ball plungers on light assembly to top holes on receiver. Driver enclosure can rest on top of dropped pan.



F Finalize install by locking trim into the secured light assembly.

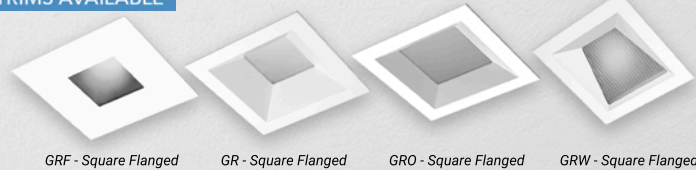
How to secure with safety cables?



Safety cable clip clicks into Receiver safety cable

Installation Instructions for Dropped Pan Square Flanged Trim GRF, GR, GRO, GRW

TRIMS AVAILABLE



G Repeat process for all tiling elements that require a light assembly.



Push-pin Fastener

Push-pin fastener locks trim safety cable trim to lamp assembly

