

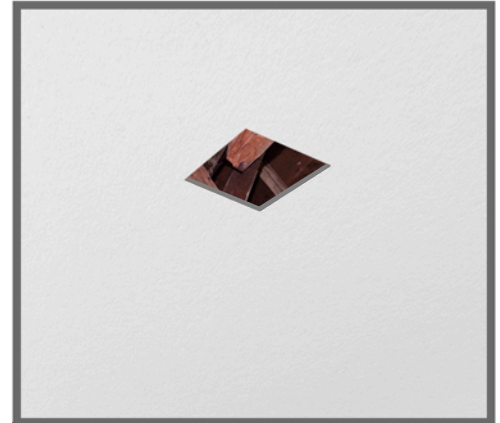
CAUTIONS AND WARNINGS:

1. This product *must* be installed in accordance with the applicable installation code by a licensed electrician familiar with the construction and operation of the product and hazards involved.
2. Power *must* be **OFF** when connecting the fixture. "Hot plugging" the light engine and driver will damage the LED source.
3. The light engine is low voltage and is factory wired to the driver.
DO NOT CONNECT LIGHT ENGINE TO THE BUILDING AC POWER.

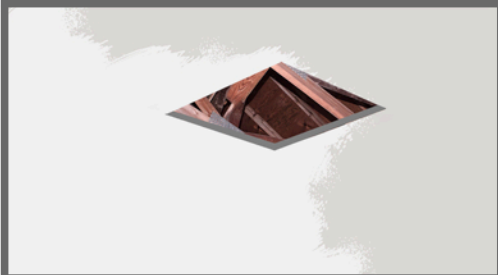
DISCLAIMER: Screw and hardware on the outer edge of adjustable head are **NOT** to be tampered with. **ANY** adjustment **WILL VOID** warranty.



A Install ceiling.



B Apply tape and joint compound. Cutout opening and prep for painting ceiling.



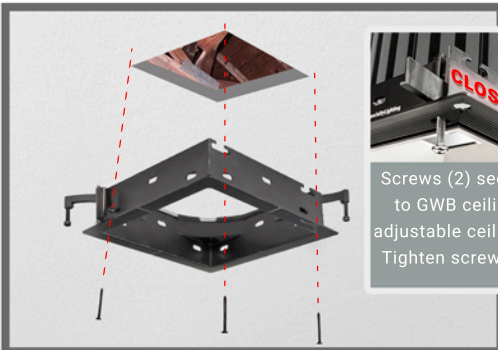
C Paint over ceiling before installation.



E Plaster receiver flange. Finish electrical



G After plaster ceiling has dried, paint over the plaster ceiling.



CLOSEUP
Screws (2) secure trim to GWB ceiling with adjustable ceiling clamp. Tighten screw till tight.

D Attach receiver with GWB screws (4).
**See Closeup- tighten receiver to GWB Ceiling.*



F Slide light assembly into receiver. Finish plastering GWB.



Ball Plunger on square trim

CLOSEUP

**Trim in view is GR- Square Flangeless*

H Make sure trim ball plungers clicks into receiver to secure.

How to secure with safety cables?



Safety cable clip clicks into Receiver safety cable

Push-pin Fastener

Push-pin fastener locks trim safety cable trim to lamp assembly

Installation Instructions for Retrofit Square Plaster Receiver / no housing GRF, GR, GRO, GRW

TRIMS AVAILABLE

